

Оптический прицел для охоты KONUSPRO M-30 1-4X24

Технические характеристики

По вопросам продаж и поддержки обращайтесь:

Алматы (727)345-47-04
Ангарск (3955)60-70-56
Архангельск (8182)63-90-72
Астрахань (8512)99-46-04
Барнаул (3852)73-04-60
Белгород (4722)40-23-64
Благовещенск (4162)22-76-07
Брянск (4832)59-03-52
Владивосток (423)249-28-31
Владикавказ (8672)28-90-48
Владимир (4922)49-43-18
Волгоград (844)278-03-48
Вологда (8172)26-41-59
Воронеж (473)204-51-73
Екатеринбург (343)384-55-89

Иваново (4932)77-34-06
Ижевск (3412)26-03-58
Иркутск (395)279-98-46
Казань (843)206-01-48
Калининград (4012)72-03-81
Калуга (4842)92-23-67
Кемерово (3842)65-04-62
Киров (8332)68-02-04
Коломна (4966)23-41-49
Кострома (4942)77-07-48
Краснодар (861)203-40-90
Красноярск (391)204-63-61
Курск (4712)77-13-04
Курган (3522)50-90-47
Липецк (4742)52-20-81

Магнитогорск (3519)55-03-13
Москва (495)268-04-70
Мурманск (8152)59-64-93
Набережные Челны (8552)20-53-41
Нижегород (831)429-08-12
Новокузнецк (3843)20-46-81
Новосибирск (383)227-86-73
Омск (3812)21-46-40
Орел (4862)44-53-42
Оренбург (3532)37-68-04
Пенза (8412)22-31-16
Петрозаводск (8142)55-98-37
Псков (8112)59-10-37
Пермь (342)205-81-47

Ростов-на-Дону (863)308-18-15
Рязань (4912)46-61-64
Самара (846)206-03-16
Санкт-Петербург (812)309-46-40
Саратов (845)249-38-78
Севастополь (8692)22-31-93
Саранск (8342)22-96-24
Симферополь (3652)67-13-56
Смоленск (4812)29-41-54
Сочи (862)225-72-31
Ставрополь (8652)20-65-13
Сургут (3462)77-98-35
Сыктывкар (8212)25-95-17
Тамбов (4752)50-40-97
Тверь (4822)63-31-35

Тольятти (8482)63-91-07
Томск (3822)98-41-53
Тула (4872)33-79-87
Тюмень (3452)66-21-18
Ульяновск (8422)24-23-59
Улан-Удэ (3012)59-97-51
Уфа (347)229-48-12
Хабаровск (4212)92-98-04
Чебоксары (8352)28-53-07
Челябинск (351)202-03-61
Череповец (8202)49-02-64
Чита (3022)38-34-83
Якутск (4112)23-90-97
Ярославль (4852)69-52-93

Россия +7(495)268-04-70

Казахстан +(727)345-47-04

Беларусь +(375)257-127-884

Узбекистан +998(71)205-18-59

Киргизия +996(312)96-26-47

эл.почта: kun@nt-rt.ru || сайт: <http://konuscopes.nt-rt.ru/>

KONUSPRO M-30 1-4X24 – HUNTING OPTICS

Code: #7184

RIFLESCOPES SUITABLE FOR SHOOTING AT CLOSE AND MEDIUM RANGE

These models will deliver an **impeccable** and **rewarding performance** on countless types of hunt and even in the **faintest light conditions**. They are especially suitable for **shooting at close** and **medium distance** or aiming at fast **moving targets**.

EN

KONUSPRO M-30 RIFLESCOPE INSTRUCTIONS

FOCUSING

Your KonusPro M30 has been equipped with a lockable, fast focus eyepiece. While holding the riflescope about three or four inches (5cm-9cm) from your eye, quickly glance through the eyepiece at a featureless, bright area such as a wall or the open sky.

If the reticle is not sharply defined instantly, loosen the fast-focus locking ring in a counter-clockwise direction and turn the outer ring (either direction) on the eyepiece until the reticle is perfectly clear and sharp in detail. When finished, re-tighten the locking ring in a clockwise direction to prevent the focus adjustment from moving.

CAUTION: VIEWING THE SUN CAN CAUSE SERIOUS EYE INJURY, NEVER LOOK AT THE SUN WITH THIS PRODUCT OR EVEN THE NAKED EYE.

MOUNTING:

Position the rifle scope on the blocking rings (these can be bought easily). Separate the tops of the rings from the bottom portion. Replace the tops, but don't tighten. Push the scope as far forward as it will go. Rotate the scope so that the elevation turret is on top. Shoulder or bench rest the rifle and pull the scope back toward you until you see the full field of view. Check altitude of the reticle. The vertical and horizontal components should



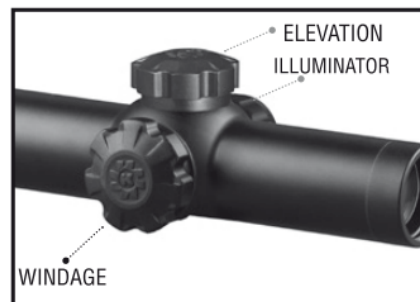
2

be aligned with the bore axis. When the scope is properly positioned and the reticle aligned with the bore axis, tighten the ring tops, be careful not to tighten the screws to such an extent that you risk damaging the riflescope.

**CAUTION: BE SURE GUN IS NOT LOADED.
USE SAFE GUN HANDLING PROCEDURES AT ALL TIMES.**

ALIGNMENT:

To bore sight, remove the bolt from the bolt action gun (open other types). Rotate the parallax correction wheel located on the left side of the riflescope to the distance of the target, and set the zoom to mid power. Rest the rifle on a steady support. Look through the bore, from the breech (for actions other than bolt, you will need a small mirror positioned in the ejection port and tilted so you can see through the bore) Move the stock to center the target in the bore. Without disturbing the rifle, adjust Windage and elevation turrets to center the reticle on target. Your KonusPro M30 has been implemented with "lockable" Windage and elevation adjustments. To sight in your riflescope, loosen the locking mechanism on the top of each turret in a counterclockwise direction. To raise the point of impact, turn the elevation turret (located on top of the riflescope) counterclockwise. To shift left, turn the Windage adjustment turret (located on the right side of the riflescope) clockwise. If large amounts of Windage and elevation adjustments are needed to bore sight, make about half of the required elevation change, then about half of the Windage. Finish by applying the balance of elevation correction and then Windage. Once zeroed in, loosen the allen screws on the turrets with the allen wrench (included), and turn them to "0". This will allow you to make easy adjustments in the field, always counting from zero. Re-tighten the allen screws and re-tighten the locking mechanisms to secure the turrets will not accidentally be moved in the field. Those who have regulating rings for the drift angle can make all necessary changes and then complete



the operation by means of the system incorporated in the telescopic sight.

CAUTION: ALL SHOOTING SHOULD BE DONE AT AN APPROVED RANGE OR OTHER SAFE AREA. EYE AND EAR PROTECTION IS RECOMMENDED.

DANGER:

If you used a bore sighting collimator or any other bore obstructing device, remove it before proceeding. If the barrel has been drilled for a mount, check that screws do not protrude into the bore. Do not fire live or even blank ammunition with an obstructed barrel. An obstruction can cause serious damage to the gun and possible personal injury to yourself and others nearby.

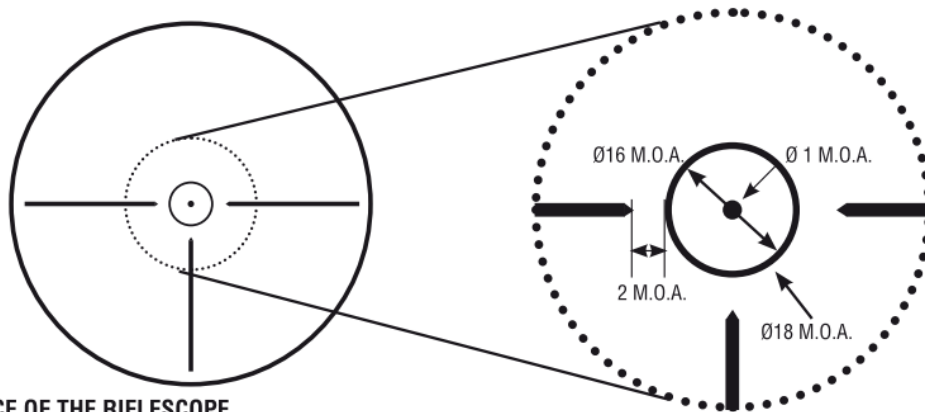
Set the zoom ring indicator to the highest power. Observe bullet strike on the target and adjust Windage and elevation turrets as needed to correct aim.

NOTE: Each click of adjustment changes bullet strike by 1/2 M.O.A. The target. Adjustments are calibrated in 1/2 M.O.A. Click values and 5.0 mil per revolution, allowing an easy return to zero.

ILLUMINATED RETICLE OPERATION:

The electronic reticle can be adjusted for varying degrees of illumination depending on the current lighting conditions. This is done by turning the rheostat control knob located on the top of the eyepiece. Turning the indicator switch to 1 will provide the least amount of illumination, while turning to number 5 will provide the brightest illumination. Typically, the darker the lighting conditions outside, the lower the illumination should be within the scope. This will prevent light scatter. Your new M30 has been equipped with the latest illumination technology. The subdued blue/red illumination will provide a clear view of the reticle against any background, while not creating a relaxed, less strained view for the eye.

RETICLE:



MAINTENANCE OF THE RIFLESCOPE

Your riflescope is shockproof and waterproof. However you should never try to take it apart or clean it internally. If your scope ever does need repairs or adjustments, it should be returned to the authorized dealer. The exposed optical surface will perform their best if they are occasionally wiped clean with the lens cloth provided or with an optical quality lens paper like those for eyeglasses or camera lenses. Keep the protective lens covers in place when the scope is not being used. Maintain the metal surfaces of your riflescope by removing any dirt or sand with a soft brush so as to avoid scratching the finish. Wipe down the scope with a damp cloth and follow with a dry cloth. finally going over the tube with a silicone treated cloth will restore luster and protect the scope against corrosion. Be careful not to touch any of the lenses with the silicone cloth.



По вопросам продаж и поддержки обращайтесь:

Алматы (727)345-47-04
Ангарск (3955)60-70-56
Архангельск (8182)63-90-72
Астрахань (8512)99-46-04
Барнаул (3852)73-04-60
Белгород (4722)40-23-64
Благовещенск (4162)22-76-07
Брянск (4832)59-03-52
Владивосток (423)249-28-31
Владикавказ (8672)28-90-48
Владимир (4922)49-43-18
Волгоград (844)278-03-48
Вологда (8172)26-41-59
Воронеж (473)204-51-73
Екатеринбург (343)384-55-89

Иваново (4932)77-34-06
Ижевск (3412)26-03-58
Иркутск (395)279-98-46
Казань (843)206-01-48
Калининград (4012)72-03-81
Калуга (4842)92-23-67
Кемерово (3842)65-04-62
Киров (8332)68-02-04
Коломна (4966)23-41-49
Кострома (4942)77-07-48
Краснодар (861)203-40-90
Красноярск (391)204-63-61
Курск (4712)77-13-04
Курган (3522)50-90-47
Липецк (4742)52-20-81

Магнитогорск (3519)55-03-13
Москва (495)268-04-70
Мурманск (8152)59-64-93
Набережные Челны (8552)20-53-41
Нижний Новгород (831)429-08-12
Новокузнецк (3843)20-46-81
Ноябрьск (3496)41-32-12
Новосибирск (383)227-86-73
Омск (3812)21-46-40
Орел (4862)44-53-42
Оренбург (3532)37-68-04
Пенза (8412)22-31-16
Петрозаводск (8142)55-98-37
Псков (8112)59-10-37
Пермь (342)205-81-47

Ростов-на-Дону (863)308-18-15
Рязань (4912)46-61-64
Самара (846)206-03-16
Санкт-Петербург (812)309-46-40
Саратов (845)249-38-78
Севастополь (8692)22-31-93
Саранск (8342)22-96-24
Симферополь (3652)67-13-56
Смоленск (4812)29-41-54
Сочи (862)225-72-31
Ставрополь (8652)20-65-13
Сургут (3462)77-98-35
Сыктывкар (8212)25-95-17
Тамбов (4752)50-40-97
Тверь (4822)63-31-35

Тольятти (8482)63-91-07
Томск (3822)98-41-53
Тула (4872)33-79-87
Тюмень (3452)66-21-18
Ульяновск (8422)24-23-59
Улан-Удэ (3012)59-97-51
Уфа (347)229-48-12
Хабаровск (4212)92-98-04
Чебоксары (8352)28-53-07
Челябинск (351)202-03-61
Череповец (8202)49-02-64
Чита (3022)38-34-83
Якутск (4112)23-90-97
Ярославль (4852)69-52-93

Россия +7(495)268-04-70

Казахстан +(727)345-47-04

Беларусь +(375)257-127-884

Узбекистан +998(71)205-18-59

Киргизия +996(312)96-26-47

эл.почта: kun@nt-rt.ru || сайт: <http://konuscopes.nt-rt.ru/>